

# MDA2Y

## 2 relays supervised output module



Microprocessed algorithmic addressable loop device (with short-circuit isolator).

The module takes the power supply from the loop, but it requires an auxiliary 30 V supply to give the necessary energy to the devices controlled by the relays. It monitors the presence of voltage in the auxiliary supply line of 30V and in the output of the monitored relays.

The module is protected by 0,9 A resettable fuse and each monitored output by 0,5 A.

The flashing of the transparent red LED indicates communication with the control panel. Illumination of the green LED indicates the actuation of a relay.

It is a module with two relay outputs of independent activation (two functions), not only in their type of application (sounder, switches or crossed relay), but also in their timing and in the combination of sensors that activate them.

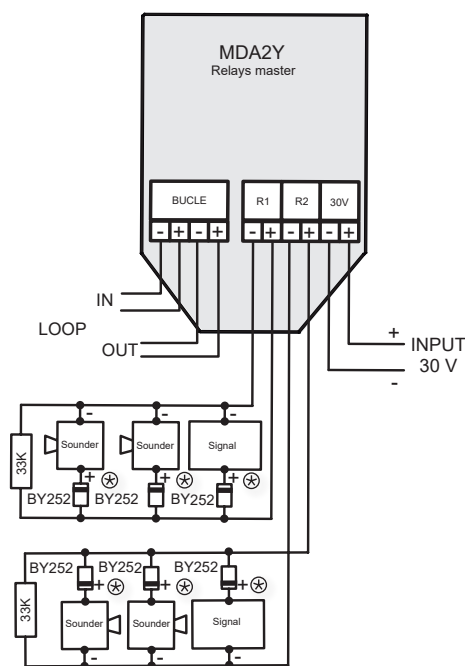
In the standby state, the MDA2Y monitors both external line by means of a 33 kΩ resistance, indicating the state of open line or crossed line.

The device is supplied in a rectangular heat-resistant ABS box.

The module is certified according to EN 54-18 Standard, and CE labelled according to the European Regulation of Construction Products (UE) N°305/2011.

### TECHNICAL FEATURES

Power Supply	24 - 35V with polarity
Standby Current	1 mA
Short-Circuit Isolator	Si
Relay supervision voltage	7V with reverse polarity
Relay output voltage	30V
Activation Signal	Green Light
Communication Indicator	Red Light
Humidity	20 - 95% RH
Temperature	-10°C +50°C
Size	140,5 x 73 x 48 mm
Standard	EN 54-18
IP Protection	IP 30



⊗ It depends on if the sounder has diode incorporated