



FLAME SENSOR

FS-2000E



OPERATION SET-UP BY DETECTION TIMER

The alarm will be activated only when the sensor detects a flame (ultraviolet rays) in accordance with the detection timer. 4 detection times are selectable by a slide switch on the sensor. <0.2 sec., 1 sec., 6 sec., 30 sec.,>

OTHER FUNCTIONS

- * Internal alarm sound, which is greater than 80dB at 3.3ft. (1m) in front of the sensor, and it can be turned off.
- * Tamper output.

FORM C EXTERNAL OUTPUT

With a Form C output, FS-2000E can be connected to a Fire / Security control panel. Also the output signal can be used to initiate a warning device, such as CCTV surveillance as a part of advanced security system.

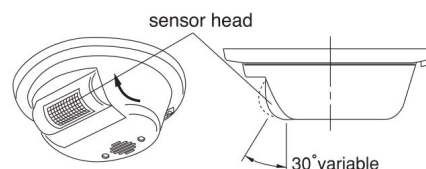
ALARM MEMORY

It can be easily identified by Alarm memory indication which sensor is activated. Memory LED on the sensor blinks for 3 min. and lights on for 47 min. after alarm activation.

PROTECTION AREA ADJUSTMENT

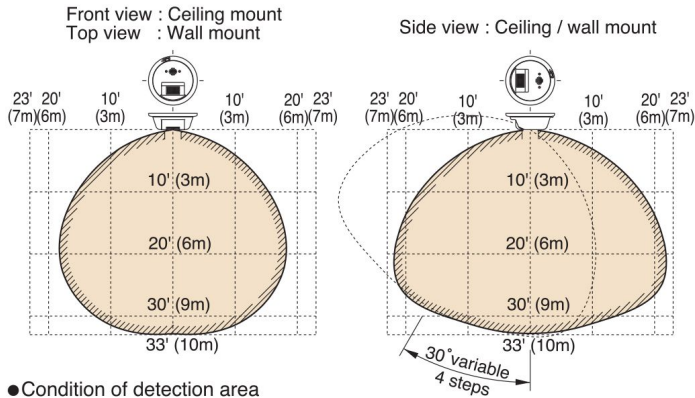
Compact design (ϕ 120mm) enables FS-2000E to be installed at any location. Easy separation of the sensor body from the base simplifies installation and maintenance.

In addition, wide selections of protection area setting are available with protection area adjustment.



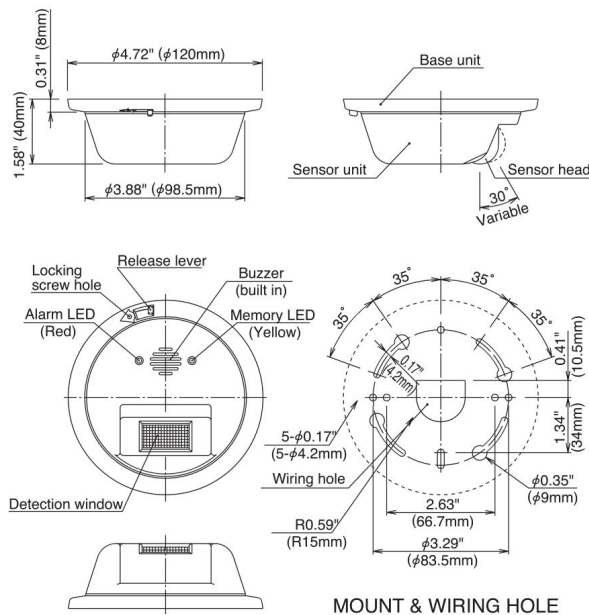
FLAME SENSOR

DETECTION AREA



- Condition of detection area
Detection timer : 0.2sec.
Origin of flame : Gas lighter
Size of flame : Approx. 2.75" (7cm)

EXTERNAL DIMENSIONS [Unit : inch(mm)]



SPECIFICATIONS

Product name	FLAME SENSOR	
Model	FS-2000E	
Detection system	Ultraviolet rays detection (Detected wave length 185 to 260nm)	
Detection area	Distance	33ft.(10m) [2.75" (7cm) lighter flame, in front]
	Angle	Approx. 120° conically
	Adjustment range	Horizontal 25° by base unit Vertical 30° (4 steps) by sensor head
Detection sensitivity	STD : 100% , L : 50%	
Sensitivity adjustment	Detection timer 4 steps (0.2 sec., 1 sec., 6 sec and 30 sec.)	
Power supply	10V to 30VDC (non-polarity)	
Power consumption	Stand by : 25mA or less Alarm : 75mA or less (alarm sound ON) 40mA or less (alarm sound OFF)	
Alarm output	Dry contact relay Form C (alarm : open / close) Contact action : Off-delay (approx. 2 sec.) Contact capacity : 30V(AC/DC)0.3A, protective resistance 3.3 ohms	
Alarm memory	Auto-reset operation (on/off setting available) Memory LED blinks for 3 min. then lights on for 47 min.	
LED	Alarm LED (red) : light on for off-delay 10 sec. Memory LED (yellow) : light on when memory indicated, blink when power turned on	
Alarm sound (buzzer)	Alarm : Sounds intermittently every 0.2 sec. during off-delay 10 sec. Volume : 80dB or more at 3.3ft (1m) ahead (silent setting is available)	
Temper output	Dry contact relay Form B (N.C.) Action : open when cover is detached Capacity : 30V (AC/DC) 0.1A	
Wiring	Terminals	
Ambient temp. range	+14°F to +140°F (-10°C to +60°C) without condensation and freeze	
Installation	Indoor (ceiling or wall mount)	
Weight	Approx. 5.3oz (150g)	
Appearance	ABS resin (white)	
Accessories	Tapping screw φ4×25.2pcs. Sensor locking screw φ3×6.1pce.	
Optional	Ceiling mount attachment [BCW-401]	

* Specifications and design are subject to change without prior notice.

TERMINAL ARRANGEMENT

