

DS-2DP1636-D

PanoVu series 16MP 360° Panoramic Camera



Hikvision PanoVu series DS-2DP1636-D panoramic cameras are able to capture high quality 3D real-time panoramic images and support 3D operation. Users can select any monitoring angle by click the mouse, and adjust the monitoring angle by rotation, zoom in and zoom out.

With its various characteristics, PanoVu series cameras can be widely used in airports, stations, gymnasiums, scenic pots, and squares which need a wide range of monitoring.

- 1/1.9" Progressive Scan CMOS
- 360° view angle
- Up to 2 × 2400 × 3840@25fps
- Ultra-low illumination
- 23X optical zoom, 16X digital zoom
- WDR
- 3D Operation
- 30VDC power supply
- IP66



Function Description

Panoramic Camera

- 8 1/1.9" Progressive Scan CMOS, up to 2 × 2400 × 3840@25fps
- Horizontal angle of view: 360° , Vertical angle of view: 180°
- Min. Illumination: 0.002Lux@(F1.8,AGC ON)(Color), 0.0002Lux@(F1.8,AGC ON)(B/W)

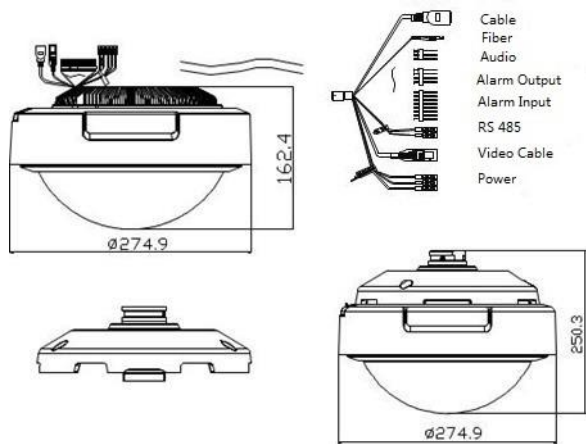
System function

- Support selecting any monitoring angle by clicking the mouse, and adjust the monitoring angle by rotation, zoom in and zoom out.
- Support quick operate in browser.
- Support WDR, HLC, BLC, Defog, 3D DNR.
- Support onboard storage, up to 128GB.
- 7 alarm input and 2 alarm output, 1 audio input and 1 audio output.
- Optional fiber cable and RJ-45 cable.
- Support IP66 standard.

Specifications

Panoramic Camera	
Image Sensor	1/1.9" Progressive Scan CMOS
Max. Image Resolution	2 × 2400 × 3840@30fps
Min. Illumination	Color: 0.002 Lux @ (F1.8, AGC ON), B/W: 0.0002Lux @ (F1.8, AGC ON)
Lens	f4.0mm/ F1.8
Angle of View	Horizontal angle of view: 360° , Vertical angle of view: 180°
S/N Ratio	≥55dB
3D Operation	Support
Main Stream	50Hz: 25fps 2 ×(2400 × 3840)
Sub Stream	50Hz: 25fps 2 ×(704 × 320, 1200 × 1920)
Image Compression	H.264(Baseline, Main, High Profile)/MJPEG
Others	WDR, BLC, HLC, 3D DNR
Network	
Audio compression	G.711ulaw/G.711alaw/G.722/G.726/MP2L2/PCM
Protocols	IPv4/IPv6,HTTP,HTTPS,802.1x,Qos,FTP,SMTP,UPnP,SNMP,DNS,DDNS,NTP,RTSP,RTP,TCP,UDP,IGMP,ICMP, DHCP, PPPoE
Application programming	Open-ended API, support ONVIF, PSIA, CGI and Genetec
System Integration	
Menu	English
Scheduled Task	Support
Alarm I/O	7 alarm inputs (0-5v DC), 2 alarm output, Support alarm linkage
Alarm Action	Preset / Patrol / Pattern / SD card recording/ Aux output/ E-map on Client/ Send Email/ Upload to FTP
Audio I/O	1/1
Fiber Cable	1 10M/100M FC interface, TX1310 / RX1550nm wavelength, 20 km transmission distance
Ethernet	1 RJ45 100M/1000M Ethernet interface
CVBS Output	1.0V[p-p] / 75Ω, NTSC (or PAL) composite, BNC
RS485	Half duplex, HIKVISION, Pelco-P, Pelco-D, self-adaptive
Onboard Storage	Built-in Micro SD/SDXC card slot, up to 128GB, manual/alarm recording
General	
Power	DC 30V, MAX. 110W
Working Temperature/ Humidity	-40 °C – 65 °C, Humidity 90% or less
Protection Level	IP66 standard, TVS 6,000V lightning protection, surge protection and voltage transient protection
Dimensions(mm)	Φ 274.9 × 250.3
Weight	4.5kg

Dimensions



Accessories



DS-1603ZJ
Wall Mount



DS-1668ZJ
Ceiling Mount



DS-1668ZJ (20)
Pendant Mount

Distributed by

Headquarters
No.555 Qianmo Road, Binjiang District,
Hangzhou 310051, China
T +86-571-8807-5998
overseasbusiness@hikvision.com

Hikvision Poland
T +48-22-460-01-50
poland@hikvision.com

Hikvision USA
T +1-909-895-0400
sales.usa@hikvision.com

Hikvision India
T +91-22-28469900
sales@pramahikvision.com

Hikvision UK
T +44-1628-9021-4
support.uk@hikvision.com

Hikvision Europe
T +31-23-5542770
saleseuro@hikvision.com

Hikvision Italy
T +39-0438-6902
info.it@hikvision.com

Hikvision Singapore
T +65-6684-4718
sg@hikvision.com

Hikvision Middle East
T +971-4-8816086
salesme@hikvision.com

Hikvision France
T +33(0)1-85-330-444
info.fr@hikvision.com

Hikvision Oceania
T +61-2-8599-4233
salesau@hikvision.com

Hikvision Russia
T +7-495-669-67-99
saleru@hikvision.com

Hikvision Spain
T +34-91-737-16-55
info.es@hikvision.com

Hikvision Hong Kong
T +852-2151-1761