

## DS-2CD6A64F-IHS/NFC 24 MP PanoVu Camera



### smart IPC

- 1/1.8" Progressive Scan CMOS
- 8208 × 3072 @ 30fps
- FOV: horizontal 180°, vertical 80°
- H.265, H.264
- Fiber optic transmission
- Up to 50 m IR range
- IP66
- Image stitching and single video stream output
- 6 behavior analyses, 1 exception detection, and face detection



## Specifications

<b>Camera</b>		
Image Sensor	1/1.8" Progressive Scan CMOS	
Min. Illumination	Color: 0.01 Lux @ (F1.2, AGC ON) B/W: 0.001Lux @ (F1.2, AGC ON)	
Shutter Speed	1/25 s - 1/100,000 s	
Auto-iris	No	
Day & Night	IR Cut Filter	
Digital Noise Reduction	3D DNR	
WDR	105 dB	
3-Axis Adjustment	Pan: -90° to +90°, tilt:-45° to 90°	
<b>Lens</b>		
Focal length	5.5 mm	
Aperture	F1.8	
FOV	Horizontal field of view: 180° Vertical field of view: 80° Diagonal field of view: 196°	
Lens Mount	CS	
<b>IR</b>		
IR Range	Up to 50 m	
<b>Compression Standard</b>		
Video Compression	Main stream: H.265/H.264 Sub stream: H.265/H.264	
H.264 Type	Baseline Profile/Main Profile/High Profile	
H.265 Type	Main Profile	
Video Bit Rate	32 Kbps to 32 Mbps	
Audio Compression	G.711/G.722.1/G.726/MP2L2/PCM	
Audio Bit Rate	64Kbps(G.711)/16Kbps(G.722.1)/16Kbps(G.726)/32-192Kbps(MP2L2)	
<b>Smart Feature-set</b>		
Behavior Analysis	Line crossing detection, intrusion detection, region entrance detection, region exiting detection, unattended baggage detection, object removal detection	
Exception Detection	Audio exception detection	
Face Detection	Yes	
Region of Interest	4 fixed region for each stream, and dynamic face tracking	
<b>Image</b>		
Max. Resolution	8208 × 3072	
Original Image	Main stream	50Hz: 25fps (8208 × 3072); 60Hz: 30fps (8208 × 3072)
	Sub-stream	50Hz: 25fps (4096 × 1536); 60Hz: 30fps (4096 × 1536)
Panoramic Image	Main stream	50Hz: 25fps (6912 × 2800); 60Hz: 30fps (6912 × 2800)
	Sub-stream	50Hz: 25fps (3456 × 1400); 60Hz: 30fps (3456 × 1400)
Image Enhancement	BLC/ 3D DNR	
Image Setting	Saturation, brightness, contrast, sharpness, and white balance are adjustable by client software or web browser	
SVC	Yes	
Day/Night Switch	Auto/Schedule/Triggered by Alarm In	

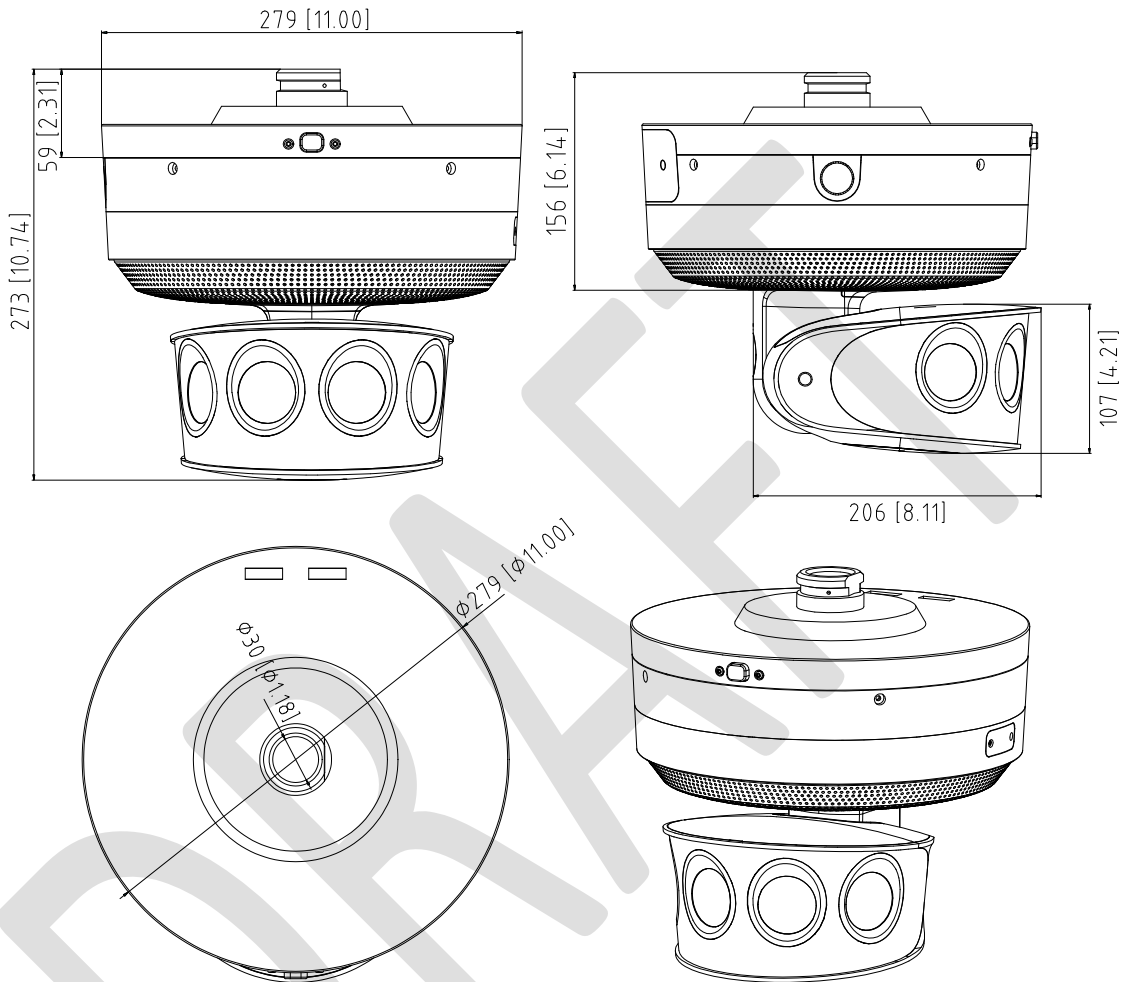
Picture Overlay	LOGO picture can be overlaid on video with 128 × 128 24bit bmp format
<b>Network</b>	
Network Storage	Micro SD/SDHC/SDXC card (128G), local storage and NAS (NFS,SMB/CIFS), ANR
Alarm Trigger	Motion detection, video tampering alarm, network disconnected, IP address conflict, illegal login, HDD full, HDD error
Protocols	TCP/IP, ICMP, HTTP, HTTPS, FTP, DHCP, DNS, DDNS, RTP, RTSP, RTCP, PPPoE, NTP, UPnP, SMTP, SNMP, IGMP, 802.1X, QoS, IPv6, UDP
General Function	One-key reset, anti-flicker, mirror, heartbeat, password protection, privacy mask, watermark, IP address filter
API	ISAPI
Simultaneous Live View	Up to 8 channels
User/Host	Up to 31 users 3 levels: Administrator, Operator and User
Client	iVMS-4200
Web Browser	IE8+, Chrome31-44, Firefox 30.0 - 51
<b>Interface</b>	
Audio	1-ch 3.5 mm input (line in), 1-ch 3.5mm output, dual-track, stereo
Communication Interface	1 RJ45 10M/100M/1000M Ethernet port 1 RS-485 interface 1 1000M FC fiber optical interface
Alarm	2 inputs, 2 outputs (up to 24 VD, 1A or 110 VAC, 500mA )
On-board storage	Built-in Micro SD/SDHC/SDXC slot, up to 128 GB
Reset Button	Yes
<b>Audio</b>	
Environment Noise Filtering	Yes
Audio Sampling Rate	Max. 48 kHz
<b>Fiber Optical</b>	
Interface Type	FC interface
Optical Type	Single mode, single fiber
Input/output Wavelength	Tx1310nm/1.25G, Rx1550nm/1.25G
Transmission Distance	20 km
<b>General</b>	
Operating Conditions	-40 °C to +60 °C (-40 °F to +140 °F), Humidity 95% or less (non-condensing)
Power Supply	36 VDC ± 20%, terminal block
Power Consumption and Current	36 VDC ± 20%: max. 60W/1.6A
Protection Level	IP66
Material	Aluminum alloy, engineering plastics
Dimensions	Camera: 279 × 279 × 273 mm (11.00" × 11.00" × 10.74") Package: 403 × 378 × 413 mm (15.9" × 14.9" × 16.3")
Weight	Approx.8000 g (17.64 lb.)

**Available Models:**

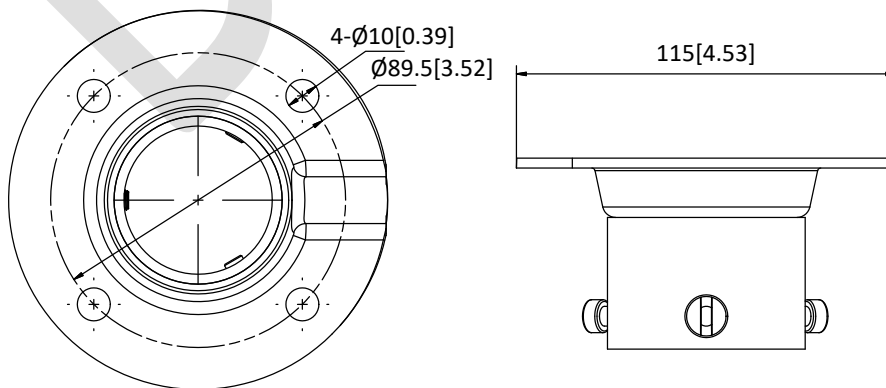
DS-2CD6A64F-IHS/NFC

**Dimensions**

**Camera:**



**Included Pendant Mount:**



Unit: mm[inch]

**Accessories**



**DS-1668ZJ-P (included)**  
**Pendant Mount**



**DS-1668ZJ(20)-P**  
**Pendant Mount**



**DS-1603ZJ-P**  
**Wall Mount**



**DS-1673ZJ-P**  
**Pole Mount**



**DS-1684ZJ-P**  
**Pole Mount**



**DS-1681ZJ-SP**  
**Mount Adapter**



**DS-2103ZJ-P**  
**Ceiling Mount**

Distributed by



**HIKVISION®**

**Headquarters**

No.555 Qianmo Road, Binjiang District,  
Hangzhou 310051, China  
T +86-571-8807-5998  
overseasbusiness@hikvision.com

**Hikvision USA**  
T +1-909-895-0400  
sales.usa@hikvision.com

**Hikvision Europe**  
T +31-23-55-42-770  
info.eu@hikvision.com

**Hikvision Middle East**  
T +971-4-8816086  
salesme@hikvision.com

**Hikvision Russia**  
T +7-495-669-67-99  
saleru@hikvision.com

**Hikvision India**  
T +91-22-28469900  
sales@pramahikvision.com

**Hikvision Italy**  
T +39-0438-6902  
info.it@hikvision.com

**Hikvision France**  
T +33(0)1-85-330-450  
info.fr@hikvision.com

**Hikvision Spain**  
T +34-91-737-16-55  
info.es@hikvision.com

**Hikvision Poland**  
T +48-22-460-01-50  
poland@hikvision.com

**Hikvision UK**  
T +01628-902140  
support.uk@hikvision.com

**Hikvision Singapore**  
T +65-6684-4718  
sg@hikvision.com

**Hikvision Oceania**  
T +61-2-8599-4233  
salesau@hikvision.com

**Hikvision Canada**  
T +1-909-895-0400  
sales.usa@hikvision.com

**Hikvision Korea**  
T +82-31-731-8841  
sales.korea@hikvision.com

**Hikvision Brazil**  
T +55 11 3318-0050  
Latam.support@hikvision.com

**Hikvision Africa**  
T +27 (10) 0351172  
sale.africa@hikvision.com

**Hikvision Hong Kong**  
T +852-2151-1761