

DS-2CD3641G0-IZSUHK 4MP IR Varifocal Bullet Network Camera



- High quality imaging with 4 MP resolution
- Clear imaging against strong back light due to 120 dB WDR technology
- Efficient H.265+ compression technology
- Audio and alarm interface available
- Water and dust resistant (IP67)
- Easy installation with Power over Ethernet (PoE) technology
- 3D DNR technology delivers clean and sharp images



Specifications

Camera	
Image Sensor	1/3" Progressive Scan CMOS
Min. Illumination	Color: 0.008 Lux @ (F1.6, AGC ON)
Shutter Speed	1/3 s to 1/100,000s
Slow Shutter	Yes
Wide Dynamic Range	120 dB
Day & Night	ICR Cut
Angle Adjustment	Pan: 0° to 360°, tilt: 0° to 90°, rotate: 0° to 360°
Power-off Memory	Yes
Lens	
Focus	Semi-auto, manual
Lens Type & FOV	2.7 to 13.5 mm, horizontal FOV 97° to 30°, vertical FOV 52° to 17°, diagonal FOV 114° to 34°
Aperture	F1.6
Lens Mount	Φ14
Fixed Aperture	Yes
Illuminator	
IR Range	60 m
Wavelength	850 nm
Smart Supplement Light	Yes
Video	
Max. Resolution	2560 × 1440
Main Stream	50Hz: 20fps (2560 × 1440) 25fps (2304 × 1296, 1920 × 1080, 1280 × 720) 60Hz: 20fps (2560 × 1440) 30fps (2304 × 1296, 1920 × 1080, 1280 × 720)
Sub-stream	50Hz: 25fps (640 × 480, 640 × 360, 320 × 240) 60Hz: 30fps (640 × 480, 640 × 360, 320 × 240)
Third Stream	50Hz: 1fps (1280 × 720, 640 × 360) 60Hz: 1fps (1280 × 720, 640 × 360)
Video Compression	Main stream: H.265+/H.265/H.264+/H.264 Sub-stream: H.265/H.264/MJPEG Third stream: H.265/H.264
Video Bit Rate	32 Kbps to 8 Mbps
H.264 Type	Baseline Profile/Main Profile/High Profile
H.265 Type	Main Profile
Stream Type	Main stream/sub-stream/thirdstream
Scalable Video Coding (SVC)	H.265 and H.264 support
Region of Interest (ROI)	1 fixed region for main stream and sub-stream
* Note: The frame rate of the sub-stream cannot exceed the maximum frame rate of the current main stream.	

Audio	
Environment Noise Filtering	Yes
Audio Sampling Rate	8 kHz/16 kHz/32 kHz/44.1 kHz/48 kHz
Audio Compression	G.711/G.722.1/G.726/MP2L2/PCM
Audio Bit Rate	64Kbps(G.711)/16Kbps(G.722.1)/16Kbps(G.726)/32-192Kbps(MP2L2)/32Kbps(PCM)
Audio Type	Mono sound
Network	
Simultaneous Live View	Up to 6 channels
API	ONVIF (PROFILE S, PROFILE G), ISAPI, SDK
Protocols	TCP/IP, ICMP, HTTP, HTTPS, FTP, DHCP, DNS, DDNS, RTP, RTSP, NTP, UPnP, SMTP, IGMP, 802.1X, QoS, IPv6, UDP, Bonjour, SSL/TLS
User/Host	Up to 32 users. 3 user levels: administrator, operator and user
Security	Password protection, complicated password, HTTPS encryption, IP address filter, basic and digest authentication for HTTP/HTTPS, TLS 1.2, WSSE and digest authentication for ONVIF
Network Storage	microSD/SDHC/SDXC card (256 GB) local storage, and NAS (NFS, SMB/CIFS), auto network replenishment (ANR). Together with high-end Hikvision memory card, memory card encryption and health detection are supported.
Client	iVMS-4200, Hik-Connect, Hik-Central
Web Browser	Plug-in required live view: IE8+, Chrome 41.0-44, Firefox 30.0-51, Safari 8.0-11
Image	
Day/Night Switch	Day, Night, Auto, Schedule, Triggered by Alarm In
Image Enhancement	BLC, HLC, 3D DNR
Image Parameters Switch	Yes
Image Settings	Saturation, brightness, contrast, sharpness, gain, white balance adjustable by client software or web browser
SNR	≥ 52 dB
Interface	
Alarm	1 input, 1 output (max. 12 VDC, 30mA)
Audio	1 input (line in) two-core terminal block; 1 output (line out) two-core terminal block
Video Output	1Vp-p composite output(75Ω/CVBS)
On-board Storage	Built-in micro SD slot, up to 256 GB
Hardware Reset	Yes
Communication Interface	1 RJ45 10M/100M self-adaptive Ethernet port
Smart Feature-Set	
Smart Event	Line crossing detection, up to 1 line configurable Intrusion detection, up to 1 region configurable
Intelligent (Traditional Algorithm)	
Basic Event	Motion detection, video tampering alarm, exception (network disconnected, IP address conflict, illegal login, HDD full, HDD error)

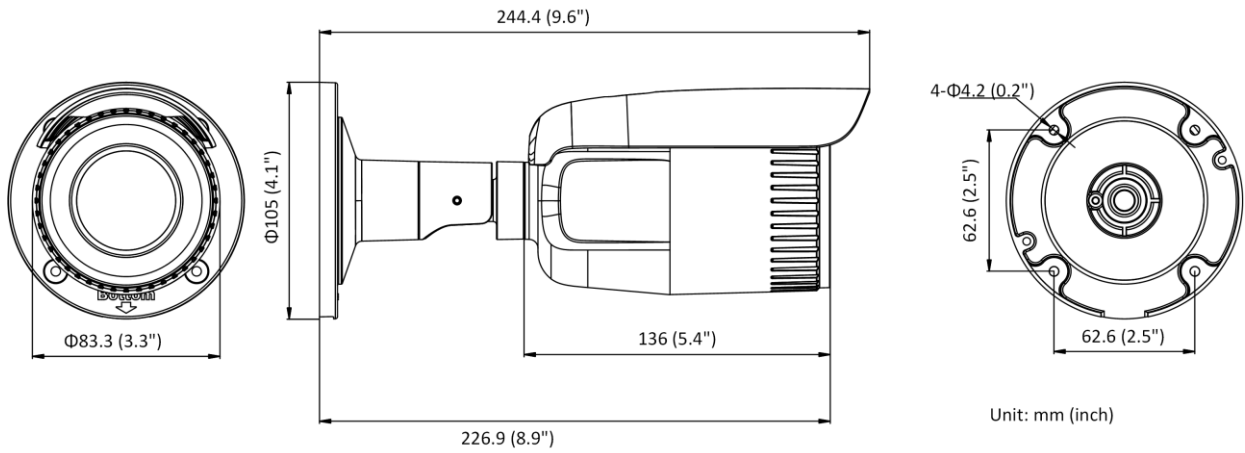
General	
Linkage Method	Upload to FTP/NAS/memory card, notify surveillance center, send email, trigger alarm output, trigger recording, trigger capture
Dual Backup	Yes
Firmware Version	5.5.85
Web Client Language	English, Russian, Portuguese, Spanish, Turkish, Italian, French, Polish
General Function	Anti-flicker, heartbeat, mirror, privacy masks, flash log
Software Reset	Yes
Storage Conditions	-30 °C to 60 °C (-22 °F to 140 °F). Humidity 95% or less (non-condensing)
Startup and Operating Conditions	-30 °C to 60 °C (-22 °F to 140 °F). Humidity 95% or less (non-condensing)
Power Supply	12 VDC ± 25% PoE: (802.3af, 36 V to 57 V)
Power Consumption and Current	12 VDC, 0.9 A, max. 11 W PoE: (802.3af, 36 V to 57 V), 0.4 A to 0.2 A, max. 12.9 W, class 3
Power Interface	Ø5.5 mm coaxial power plug
Material	Aluminum alloy body
Camera Dimension	Ø105 × 244.4 mm (Ø4.1" × 9.6")
Package Dimension	315 × 137 × 141 mm (12.4" × 5.4" × 5.6")
Camera Weight	760 g (1.7 lb.)
With Package Weight	1160 g (2.6 lb.)
Approval	
EMC	FCC (47 CFR Part 15, Subpart B); CE-EMC (EN 55032: 2015, EN 61000-3-2: 2014, EN 61000-3-3: 2013, EN 50130-4: 2011 + A1: 2014); RCM (AS/NZS CISPR 32: 2015); IC (ICES-003: Issue 6, 2016); KC (KN 32: 2015, KN 35: 2015)
Safety	UL (UL 60950-1); CB (IEC 60950-1:2005 + Am 1:2009 + Am 2:2013); CE-LVD (EN 60950-1:2005 + Am 1:2009 + Am 2:2013); BIS (IS 13252 (Part 1):2010+A1:2013+A2:2015); LOA (IEC/EN 60950-1)
Environment	CE-RoHS (2011/65/EU); WEEE (2012/19/EU); Reach (Regulation (EC) No 1907/2006)
Protection	Ingression protection: IP67 (IEC 60529-2013)

* Listed resolutions are only selectable options. It does not mean that all streams can work at their maximum resolution at the same time.

Available Model

DS-2CD3641G0-I ZSUHK (2.7 to 13.5 mm)

Dimension



Accessory



DS-1276ZJ-SUS
Corner Mount



DS-1275ZJ-SUS
Vertical Pole Mount



DS-1280ZJ-S
Junction Box



DS-1275ZJ-S-SUS
Vertical Pole Mount



DS-1260ZJ
Junction Box

Distributed by

**HIKVISION®****Headquarters**

No.555 Qianmo Road, Binjiang District,
Hangzhou 310051, China
T +86-571-8807-5998
overseasbusiness@hikvision.com

Hikvision USA
T +1-909-895-0400
sales.usa@hikvision.com

Hikvision Australia
T +61-2-8599-4233
salesau@hikvision.com

Hikvision India
T +91-22-28469900
sales@pramahikvision.com

Hikvision Canada
T +1-866-200-6690
sales.canada@hikvision.com

Hikvision Thailand
T +662-275-9949
sales.thailand@hikvision.com

Hikvision Europe
T +31-23-5542770
sales.eu@hikvision.com

Hikvision Italy
T +39-0438-6902
info.it@hikvision.com

Hikvision Brazil
T +55 11 3318-0050
Latam.support@hikvision.com

Hikvision Turkey
T +90 [216]521 7070- 7074
sales.tr@hikvision.com

Hikvision Malaysia
T +601-7652-2413
sales.my@hikvision.com

Hikvision UK & Ireland
T +01628-902140
sales.uk@hikvision.com

Hikvision South Africa
Tel: +27 (10) 0351172
sale.africa@hikvision.com

Hikvision France
T +33(0)1-85-330-450
info.fr@hikvision.com

Hikvision Kazakhstan
T +7-727-9730667
nikia.panfilov@hikvision.ru

Hikvision Vietnam
T +84-974270888
sales.vt@hikvision.com

Hikvision UAE
T +971-4-4432090
salesme@hikvision.com

Hikvision Singapore
T +65-6684-4718
sg@hikvision.com

Hikvision Spain
T +34-91-737-16-55
info.es@hikvision.com

Hikvision Tashkent
T +99-87-1238-9438
uzb@hikvision.ru

Hikvision Hong Kong
T +852-2151-1761
info.hk@hikvision.com

Hikvision Russia
T +7-495-669-67-99
saleru@hikvision.com

Hikvision Korea
T +82-[0]31-731-8817
sales.korea@hikvision.com

Hikvision Poland
T +48-22-460-01-50
info.pl@hikvision.com

Hikvision Indonesia
T +62-21-2933759
Sales.Indonesia@hikvision.com

Hikvision Colombia
sales.colombia@hikvision.com