

DP-1260ZJ

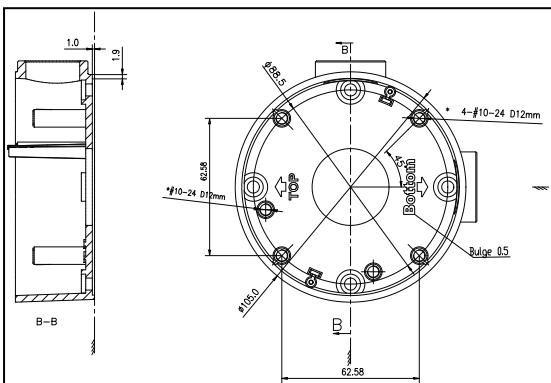
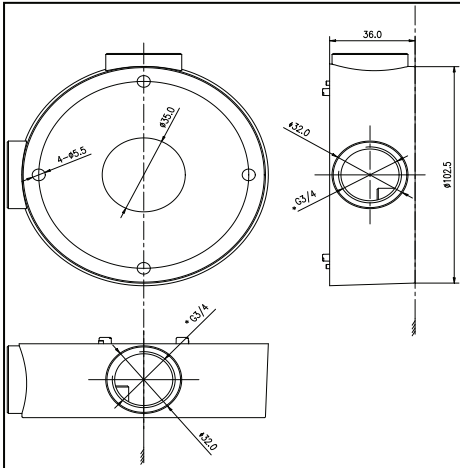
Junction Box for Bullet Camera



Features:

- Aluminum alloy material with surface spray treatment

Dimension:



Order Model:

DP-1260ZJ

Parameter:

Model	DP-1260ZJ
Parameters	Junction Box for Bullet Camera
Appearance	White
Material	Aluminum Alloy
Dimension	Φ 88.5 mm
Weight	251g

Notice:

- The bracket should be installed on flat wall
- Waterproof rubber is necessary for outdoor application
- The wall must be capable of supporting over 3 times as much as the total weight of the camera and the mount.
- The maximum load capacity of the bracket is 4.5KG

Note: The actual dome camera may vary from the picture above.