

AE-VC1B11-ISF

DSM Camera



- 6 specific abnormal detection
- 1/4" high-speed global shutter image sensor guaranteed excellent performance
- Built-in loudspeaker
- DC 9-36 V
- Support facial comparison to compare the authorized list of drivers (customizable)
- 940 nm supplement light, not causing disturbance for driving

## Specifications

<b>Camera</b>	
Image Sensor	1/4" high-speed global shutter image sensor
Day & Night	Only support night mode
Angle Adjustment	Left and Right: -43°~43°; Front and Back: -43°~67°; Horizontal: 0°~360°
<b>Lens</b>	
Focal Length & FOV	6 mm: horizontal FOV 54°, vertical FOV 31°, diagonal FOV 62°
Lens Mount	M12
<b>Illuminator</b>	
IR Range	Up to 10 m
IR Wavelength	940 nm
Supplement Light Type	Infrared fill light (no red glow)
<b>Video</b>	
Max. Resolution	1280*720
Main Stream	60 Hz: 30 fps (1280 × 720)
Sub-Stream	60 Hz: 30 fps (704×576, 640×480, 352×288, 320×240)
Third Stream	60 Hz: 30 fps (1280 × 720)
Video Compression	Main Stream: H.264, H.265, H.264+, H.265+ Sub-Stream: H.264, H.265, MJPEG Third Stream: H.264, H.265
Video Bit Rate	Main Stream: 256 kbps-8192 kbps Sub-Stream: 256 kbps-4096 kbps Third Stream: 256 kbps-4096 kbps
H.264 Type	Baseline Profile / Main Profile / High Profile
H.265 Type	Main Profile
Bit Rate Control	Constant Bit Rate, Variable Bit Rate
<b>Audio</b>	
Audio Compression	G711U, G711A, G726, AAC, G722, PCM
Audio Bit Rate	64 Kbps(G.711U)/64 Kbps(G.711A)/16 Kbps(G.726)/16 Kbps(AAC)
<b>Network</b>	
Protocols	TCP/IP, ICMP, HTTP, HTTPS, DHCP, DNS, RTP, RTSP, RTCP, NTP
Simultaneous Live View	Up to 8 channels
API	HIK SDK, ONVIF (PROFILE S/G/T), ISAPI
User/Host	Up to 16 users, 3 levels: Administrator, Operator and User
Web Browser	IE8+, Chrome45+, Edge41+, Firefox45+
<b>Image</b>	
Day/Night Switch	Night only
<b>Interface</b>	
Ethernet Interface	-RJ45, RJ45+DC Cable -M12, M12 Aviation Plug + Molex Cable
On-Board Storage	MicroSD
Audio	Audio Input: Built-in Mic Audio Output: Built-in Speaker
<b>Event</b>	
Smart Event	Distraction Prompt Detection, Fatigue Driving (Closing Eyes), IR Interrupting Sunglasses Detection, Tampering Detection, Seatbelt Unbuckled Detection, Fatigue Driving (Yawn) Detection, Driver Exception Detection, Tampering Detection
<b>General</b>	
Camera Material	Metal
Camera Dimension	Camera: 91.5× 91.5 × 107.9 mm (3.6" × 3.6" × 4.25")
Camera Weight	Approx. 405 g (0.893 lbs.)
Startup and Operating Conditions	-30°C to 75°C (-22°F to 167°F), humidity less than 90% or less (non-condensing)
Power Consumption and Current	DC: 0.19-0.78 A, 7 W MAX

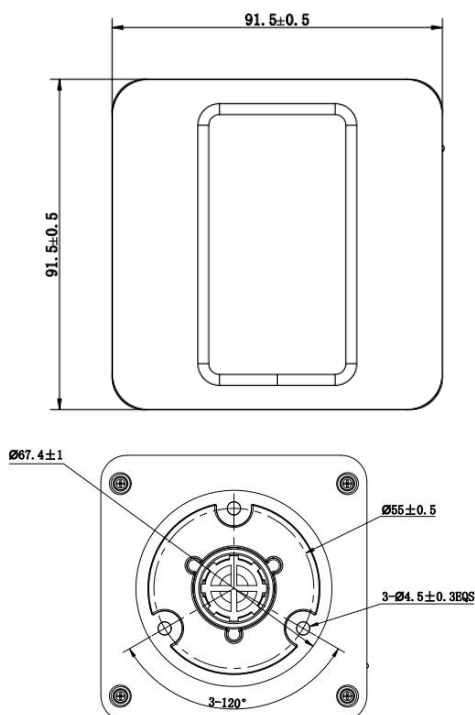
Power Supply	DC 9-36 V
Cable Length	50 cm
<b>Selection Parameter</b>	
Min. Illumination	0.00 Lux@(F1.2, AGC ON)
Local Storage	Up to 256G (optional)
Lens Type	Fixed Lens
<b>Approval</b>	
EMC	FCC (47 CFR Part 15, Subpart B); CE-EMC (EN 55032: 2015, EN 61000-3-2: 2014, EN 61000-3-3: 2013, EN 50130-4: 2011 +A1: 2014);
Safety	CE-LVD (EN 60950-1:2005 + Am 1:2009 + Am 2:2013);
Environment	CE-RoHS (2011/65/EU);
Automotive and Railway	EN50155-2017(EN 50155:2017, EN 50121-3-2:2016, IEC 60068-2-1:2007, IEC 60068-2- 2:2007, IEC 60068-2-30:2005, IEC 61373:2010); EN45545 (EN 45545-2:2013+A1:2015);

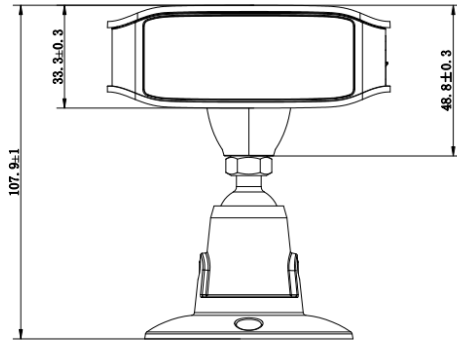
▪ **Available Model**

AE-VC1B1I-ISF(RJ45)(6mm)(O-STD)

AE-VC1B1I-ISF(M12)(6mm)(O-STD)

▪ **Dimension**





unit: mm

**Headquarters**

No.555 Qianmo Road, Binjiang District,  
Hangzhou 310051, China  
T +86-571-8807-5998  
www.hikvision.com



Follow us on social media to get the latest product and solution information.

